



SUNEX S.A.
47-400 Racibórz, ul. Piaskowa 7

Instruction manual

Safety instructions

Bio-fireplace

Models: BIO W
BIO Z
BIO W-PIO
BIO W-POZ
BIO Z-PIO
BIO Z-POZ

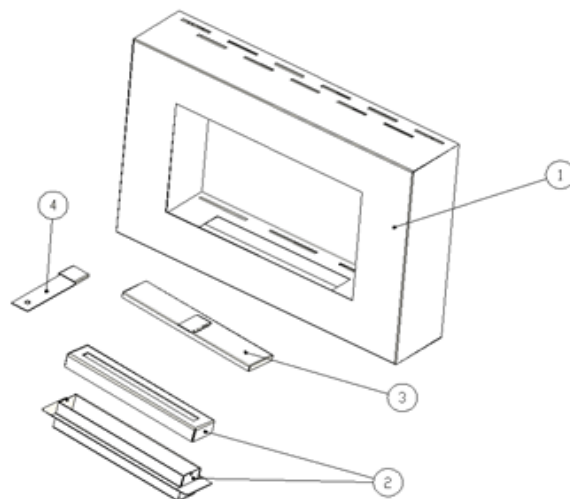
Instruction manual.

Please read the instructions carefully before using bio-fireplace.

NOTE: Please check with your insurer, your landlord, manager of administrative, etc. On the regulation concerning the possible use of decorative bio-fireplace in a particular place.

Carton content (drawings)

- Bio-fireplace (1)
- Burning container (2)
- Container cover (3) with handle (4)
- Fasteners
- promotional allowances
- manual and safety instructions



Dimensions of bio-fireplaces are shown in the tables on pages 7 and 8.

Instructions for safe use:

The room where the fireplace is burning should always be ventilated because the combustion is absorbing oxygen from the air. During the combustion of bioethanol produced water vapor and carbon dioxide.

Safety information:

Never leave an open fire unattended !!!!

"Only use the fireplace fuel based on bio-alcohol."

"Use only in well-ventilated area."

"Never refuel the unit while it is operating or while it is still hot."

"Never overfill the fuel tank. You should carefully wipe up spilled fuel before ignition device. "

"Only use the room free from drafts."

"Never make ignition when device is hot."

"Do not move the unit while it is operating."

"Never leave small children or pets unattended near a inflamed fireplace."

"Installation, use and maintenance only in accordance with the manufacturer's instructions."

WARNING: The product becomes hot during operation. Do not touch the fireplace while burning. Before touching, please wait

"The fuel must not be exposed to high temperature such as direct sunshine or central heating."

"Do not place any flammable materials closer than 1 meter from the fireplace. From the windows or curtains should keep a safe distance of at least 2 meters."

"Keep a safe distance of at least 0.5 meters from the burning fireplace."

Installation:

- 1) The mounting surface, which is to be suspended bio-fireplace must be the surface of a non-combustible (excluded substrates such as chipboard, furniture, walls covered with wallpaper, etc.) In order to avoid discoloration of the wall it is recommended that protection within mounted fireplace wool or plate temperature resistant.
- 2) The recommended minimum distance of 60 cm between the floor and the opening of the burner.
- 3) In the case of bio-fireplace internal (BIO W, BIO W-PIO, BIO W-POZ) should be prepared recess in the wall.
- 4) Drill holes in the wall for mounting, according to the spacing of the mounting holes on the back of bio-fireplace.
- 5) Secure the fireplace to the wall using 2 screws and dowels. The supplied mounting hardware are suitable for stone, brick or concrete walls.
- 6) Install the burning container in the combustion chamber of the fireplace trim.

Any structural changes are not permitted.

Starting up:

Note: Refer to the material safety data sheet of biofuels.

Kindling:

Fill the container with burning fuel for up to $\frac{3}{4}$ of the height level. Kindles using a fireplace matches. In the case of spillage of alcohol, it must be wiped out (eg.

paper towel) and the washed with water in order to prevent ignition outside the furnace.

NOTE: Spilled alcohol may lead to matt stains on the floor and damage.

Extinction:

Extinguish the flame followed by covering the burner trough the lid.

NOTE: The fuel should be stored at room temperature and do not expose it to direct sunlight to prevent spontaneous combustion. Prevent access of fluid to children and animals.

Fluid intake may cause poisoning and other health consequences. **You should immediately contact your doctor.**

NOTE: The fuel must be kept at a safe distance (at least 1 meter) from the fireplace.

Warranty:

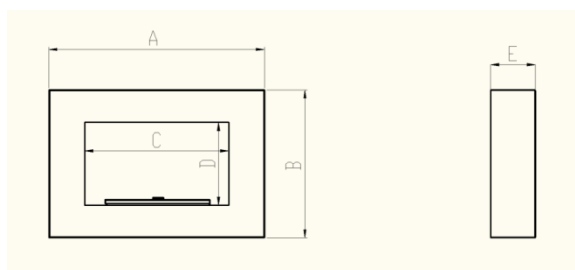
The manufacturer provides a 24 months warranty from the date of purchase.

The guarantee does not apply to:

- Damage caused by the fault of the installation or e not in accordance with the instruction manual
- Damage resulting from normal operation – discoloration elements from the high temperatures
- Mechanical damage
- Damage resulting from wear out of the elements – abrasion paint coating, wear out on the ceramic wool

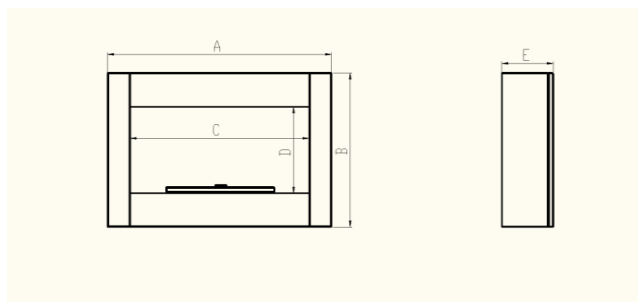
To the complaint, it is necessary to submit a proof of purchase and a complaint report. Complaints will be 30 days from the date of written notification.

External bio-fireplaces BIO Z



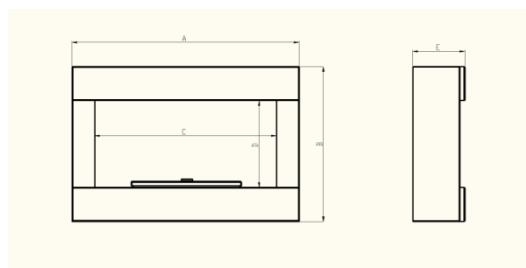
Name	A(mm)	B(mm)	C(mm)	D(mm)	E(mm)	Mass(kg)
Z 600x410	600	410	400	230	124,5	5,9
Z 900x410	900	410	630	230	134,5	10,3
Z 1150x410	1150	410	880	230	124,5	12,5

External bio-fireplaces with vertical grille BIO Z-PIO



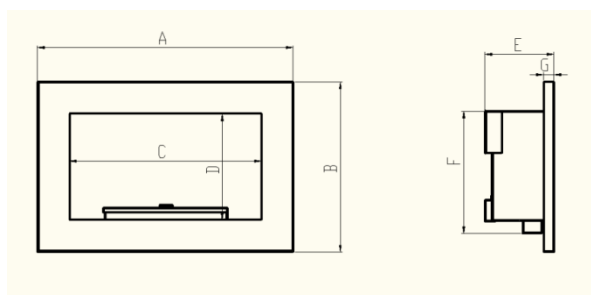
Name	A(mm)	B(mm)	C(mm)	D(mm)	E(mm)	Mass(kg)
Z-PIO 600x410	600	410	400	230	137,5	7,5
Z-PIO 900x410	900	410	630	230	147,5	10,6
Z-PIO 1150-410	1150	410	880	230	137,5	12,9

External bio-fireplaces with horizontal grille BIO Z-POZ



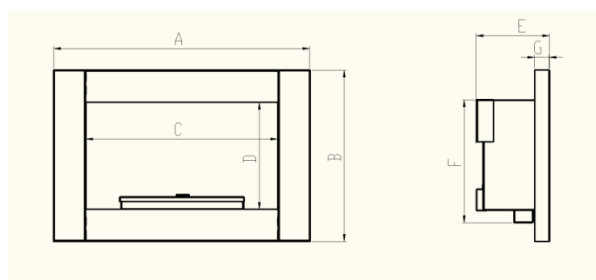
Name	A(mm)	B(mm)	C(mm)	D(mm)	E(mm)	Mass(kg)
Z-POZ 600x410	600	410	480	230	137,5	8
Z-POZ 900x410	900	410	630	230	147,5	11,3
Z-POZ 1150-410	1150	410	880	230	137,5	14,5

Internal bio-fireplaces BIO W



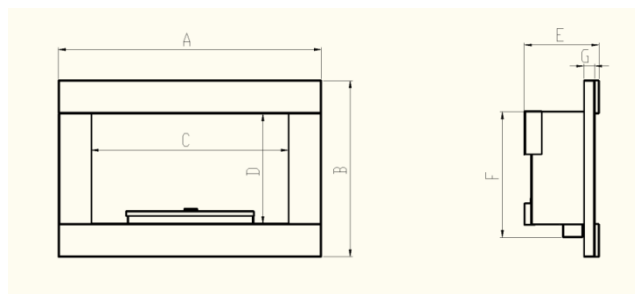
Name	A(mm)	B(mm)	C(mm)	D(mm)	E(mm)	F(mm)	G(mm)	Mass(kg)
W 600x410	600	400	450	250	162	290	25	5,5
W 900x410	900	400	750	250	162	290	25	8,4
W 1150x410	1150	400	1000	250	162	290	25	10,85

Internal bio-fireplaces with vertical grille BIO W-PIO



Name	A(mm)	B(mm)	C(mm)	D(mm)	E(mm)	F(mm)	G(mm)	Mass(kg)
W-PIO 600x410	600	400	450	250	172	290	25	6,2
W-PIO 900x410	900	400	750	250	172	290	25	8,8
W-PIO 1150-410	1150	400	1000	250	172	290	25	11

Internal bio-fireplaces with horizontal grille BIO W-POZ



Name	A(mm)	B(mm)	C(mm)	D(mm)	E(mm)	F(mm)	G(mm)	Mass(kg)
W-POZ 600x410	600	400	450	250	172	290	25	6,6
W-POZ 900x410	900	400	750	250	172	290	25	10
W-POZ 1150-410	1150	400	1000	250	172	290	25	12,5

Notes

